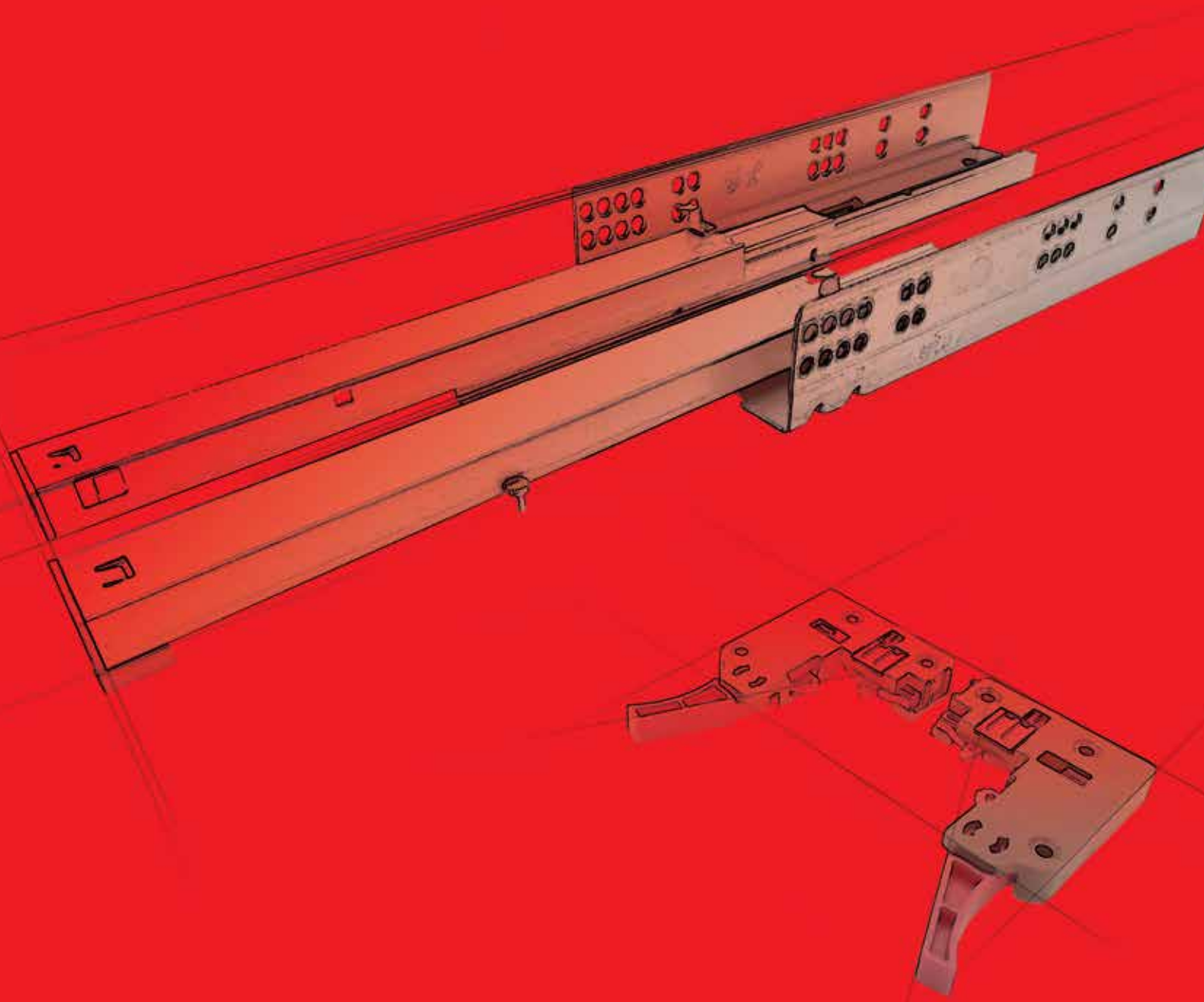




DRAWER SLIDES



FULL EXTENSION SLIDE

Width: 43mm
Thickness: 0.9 x 0.9 x 0.9mm
Length: 250 – 600mm
Loading Capacity: 30kgs
Finishing: Black
Packaging: 20PRS / CTN
UOM: PR



FULL EXTENSION



TESTED
80,000 CYCLES

DS NY4309

FULL EXTENSION SLIDE

Width: 43mm
Thickness: 0.8 x 0.8 x 0.8mm
Length: 200 – 600mm
Loading Capacity: 25kgs
Finishing: Black
Packaging: 20PRS / CTN
UOM: PR



FULL EXTENSION



DS NYL4308

FULL EXTENSION SLIDE

Width: 53mm
Thickness: 1.95 x 1.95 x 1.95mm
Length: 600 / 710 / 760 / 910mm
Loading Capacity: 100kgs
Finishing: Black
Packaging: 10PRS/CTN
UOM: PR



FULL EXTENSION



DS NY5320

FULL EXTENSION SLIDE

Feature: Soft Closing
Width: 45mm
Thickness: 1.0 x 1.0 x 1.2mm
Length: 250 – 600mm
Loading Capacity: 35kgs
Finishing: Black
Packaging: 20PRS / CTN
UOM: PR



FULL EXTENSION



SOFT CLOSING



DS NY67

FULL EXTENSION UNDERMOUNT SLIDE WITH HANDLES

Feature: Soft Closing
Thickness: 1.8 x 1.4 x 1.0mm
Length: 250 – 600mm
Loading Capacity: 35kgs
Finishing: Zinc
Packaging: 10PRS / CTN
UOM: PR



FULL EXTENSION SOFT CLOSING

DS AS150
LOCKING HANDLE
 For AS150 Full Extension Undermount Slide

DS ACC.AS150.HDL
3D LOCKING HANDLE
 For AS150 Full Extension Undermount Slide

DS ACC.AS150.3D.HDL
UNDERMOUNT HEAVY DUTY SLIDES

Thickness: 2.0 x 2.0mm
Length: 900 / 1450 / 1850 / 2250mm
Loading Capacity: 120kgs
Finishing: Black
Packaging: 2PR/CTN
UOM: PR



FULL EXTENSION SOFT CLOSING

DS CF47.L.BL
FULL EXTENSION SLIDE

Feature: Soft Closing
Thickness: 1.0 x 1.0 x 1.2mm
Length: 400 – 500mm
Material: 201 Stainless Steel
 Bearing 201 Stainless Steel
Loading Capacity: 35kgs
Finishing: Polished Stainless Steel
Packaging: 20PRS / CTN
UOM: PR



FULL EXTENSION SOFT CLOSING

DS NY93

FULL EXTENSION SLIDE

Width: 35mm
Thickness: 0.9 x 0.9 x 0.9mm
Length: 300 – 600mm
Loading Capacity: 30kgs
Finishing: Black
Packaging: 20PRS / CTN
UOM: PR



FULL EXTENSION

DS NS35



PUSH OPEN FULL EXTENSION SLIDE

Width: 45mm
Thickness: 1.0 x 1.0 x 1.2mm
Length: 350 – 500mm
Loading Capacity: 30kgs
Finishing: Black
Packaging: 15PRS / CTN
UOM: PR



FULL EXTENSION

DS NL72



SELF CLOSING SLIDE

Width: 35.5mm
Thickness: 0.8 x 0.8mm
Length: 300 – 600mm
Loading Capacity: 15kgs
Finishing: White / Black
Packaging: 40STS / CTN
UOM: ST

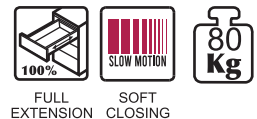


DS 1010



HEAVY DUTY SLIDE for Tall Larder

Feature: Soft Closing
Length: 450mm
Loading Capacity: 80kg
UOM: ST



DS NC10.18.Z



POCKET DOOR SLIDES

Thickness: 1.5 x 1.5mm
Length: 300-500mm
Loading Capacity: 15kgs
Finishing: Black
Packaging: 20PR/CTN
UOM: PR



PSH CF95.L.BL



TV SLIDE

Length: 300 – 600mm
Finishing: Black
UOM: PR

PSH A90.L.BLZ

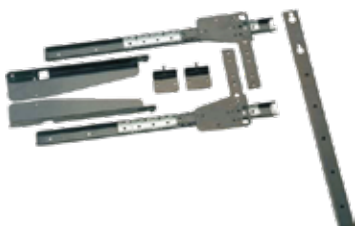


ADJUSTABLE WARDROBE MIRROR SLIDE

Mirror width: Max 600mm
Mirror height: Max 1310mm
Loading Capacity: 10kgs
Finishing: Zinc
UOM: ST



BPU LWM48



TWO WAY SLIDE

Width: 27mm
Length: 450 / 500mm
Loading Capacity: 15kgs
Finishing: Black Zinc
UOM: PR



DS T27



TABLE TURNER



Material: Aluminium
UOM: PC

Dia(mm)	L.Capacity(kg)
120	15
200	20
300	25
350	30
400	40
450	60
600	80-90



BEARING SWIVEL PLATE

Size: L190×W190mm
Finishing: Black
UOM: PC

TN DAL

TN 541.167.BL

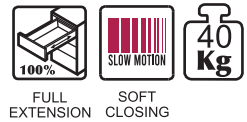
DOUBLE WALL METAL DRAWER SLIDES

Feature: Front convenient fine adjustment mechanism
Up & down ± 1.5 mm; left & right ± 1.5 mm.
Synchronization mechanism of the slides stabilize the sliding motion
Silent mechanism

Length: 500mm
Height: 84 / 118 / 167mm
Loading Capacity: 40kgs
Finishing: Storm Grey
UOM: ST



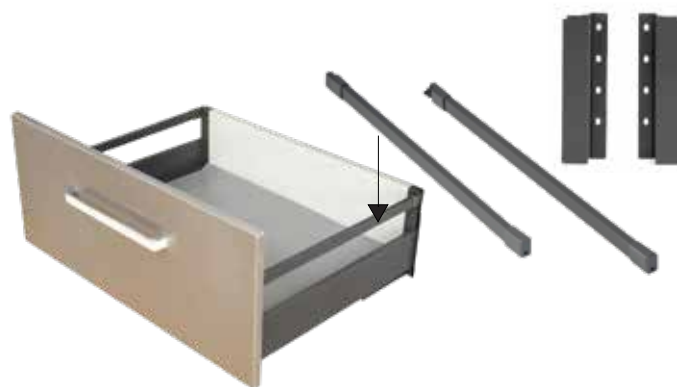
H167mm
H118mm
H87mm



DS AD35.H.500.SG

SIDE GALLERY RAILING

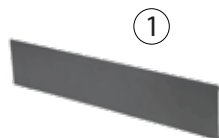
Length: 500mm
Finishing: Storm Grey
UOM: PR



DS AD35.R.500.SG

INNER DRAWER FRONT PANEL

Length: 600 / 800 / 900mm
Finishing: Storm Grey
UOM: PC



DS AD35.FLP.L.SG

INNER DRAWER FRONT CONNECTOR

Height: 86 / 116 / 167mm
Finishing: Storm Grey
UOM: PC



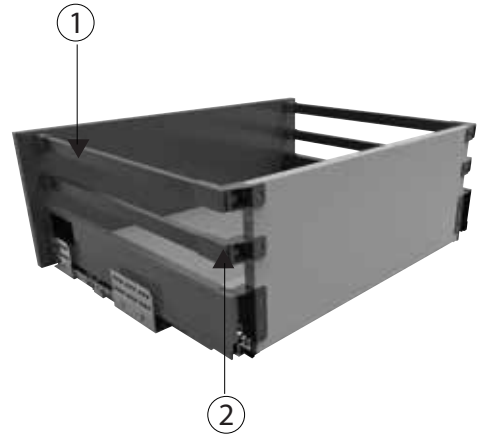
DS AD35.FPC.L.SG



SIDE HEIGHTENED SQUARE BARS & CONNECTOR

Length: 500mm
Finishing: Storm Grey
UOM: PC

DS AD35.SQR.500.SG



HEIGHTENED SQUARE BAR CONNECTOR

Finishing: Storm Grey
UOM: PC

DS AD35.SQC.SG



INNER DRAWER FRONT CONNECTOR

Length: 86 / 118 / 167mm
Finishing: Storm Grey
UOM: PC

DS AD35.FPC.L.SG



FRONT HEIGHTENED SQUARE BAR

Length: 600mm / 900mm
Finishing: Storm Grey
UOM: PC

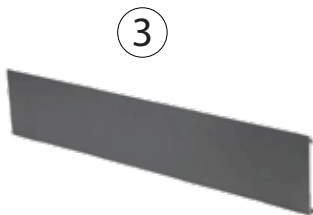
DS AD35.FHP.L.SG



INNER DRAWER FRONT PANEL

Length: 600 / 800 / 900mm
Finishing: Storm Grey
UOM: PC

DS AD35.FLP.L.SG



SIDE GALLERY RAILINGS

Length: 500mm
Finishing: Storm Grey
UOM: PR

DS AD35.R.500.SG

